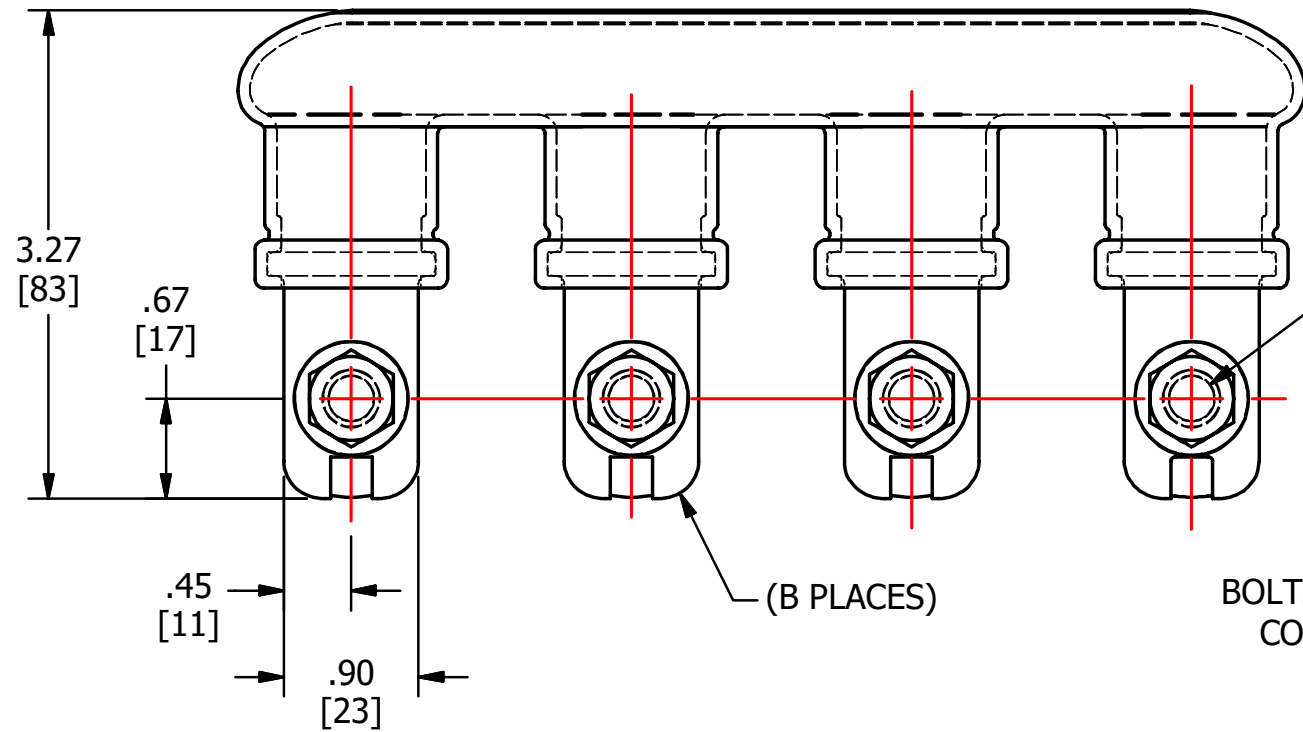
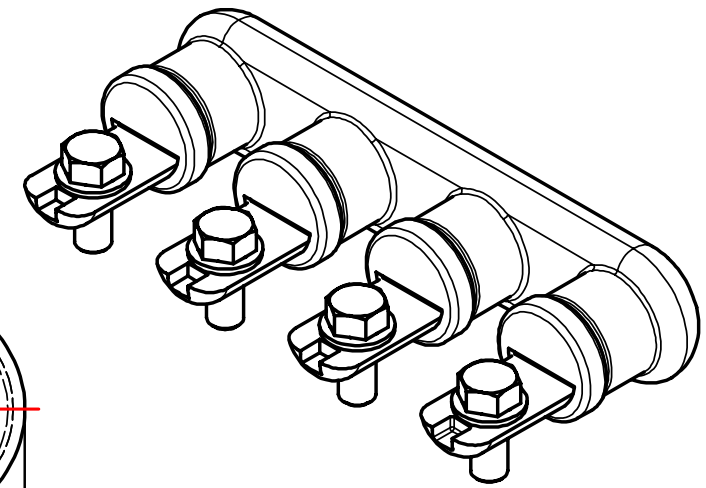
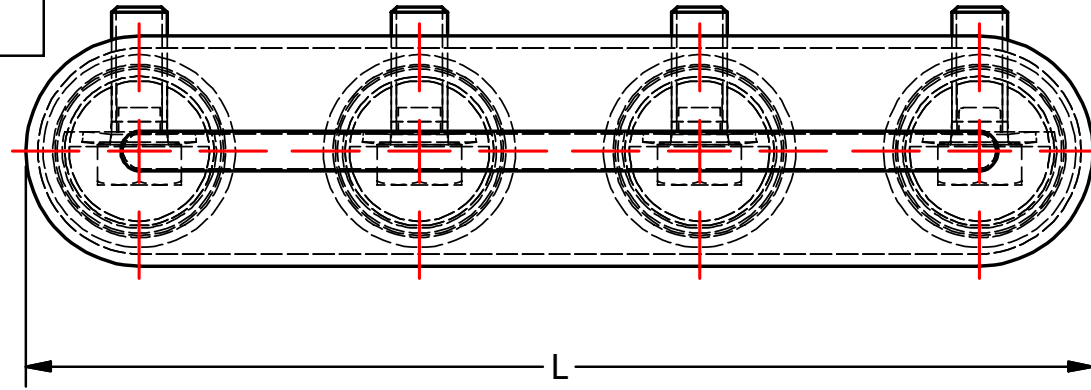
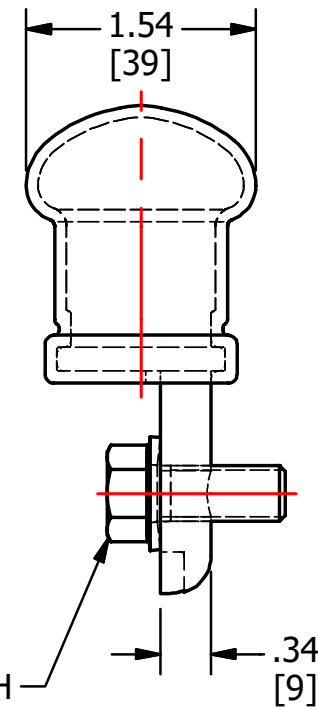


S.NO	CATALOG NUMBER	L	B
1	UC40	7 [178]	4
2	UC50	8.88 [226]	5
3	UC60	10.75 [273]	6



TAP 3/8-16 UNC
(B PLACES)

BOLTS ARE SUPPLIED WITH
CONNECTOR AND COMES
FULLY ASSEMBLED.



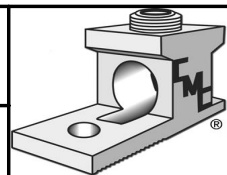
MATERIAL: ALUMINUM
VOLTAGE RATING: 600 V

					TO ORDER CMC PRODUCTS CALL 1-513-860-4455	DRAWN BY: TS 05-29-19	NAME OF PART: SUBMERSIBLE PEDESTAL CONNECTOR ASSEMBLY	CAT. NO.: SEE TABLE
					FOR PRODUCT INFO: http://www.cmclugs.com	CHECKED BY:	DWG NO: U55700059-S (CHARTED)	A
A	NEW DRAWING CREATED		05-29-19	TS		DRAWING NOT TO SCALE		SHEET NO: 1 OF 1
REV.	DESCRIPTION	ECN	DATE	INIT.				

THIS INFORMATION IS PROPRIETARY TO CONNECTOR MFG. CO. AND IS NOT TO BE DISCLOSED OUTSIDE OF CONNECTOR MFG. CO. WITHOUT A CONFIDENTIALITY AGREEMENT



CONNECTOR MANUFACTURING CO.



HAMILTON, OHIO